

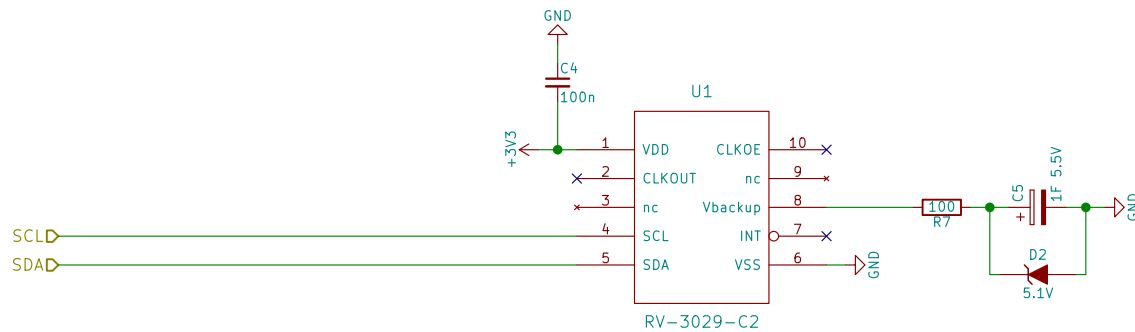
Michael Buesch <m@bues.ch>

Sheet: /
File: pilc.sch

Title: PiLC HAT

Size: A4 Date:
KiCad E.D.A. kicad 4.0.2+dfsg1-stable

Rev: 0.1
Id: 1/4



Michael Buesch <m@bues.ch>

Sheet: /rtc/

File: rtc.sch

Title: PiLC HAT – RTC

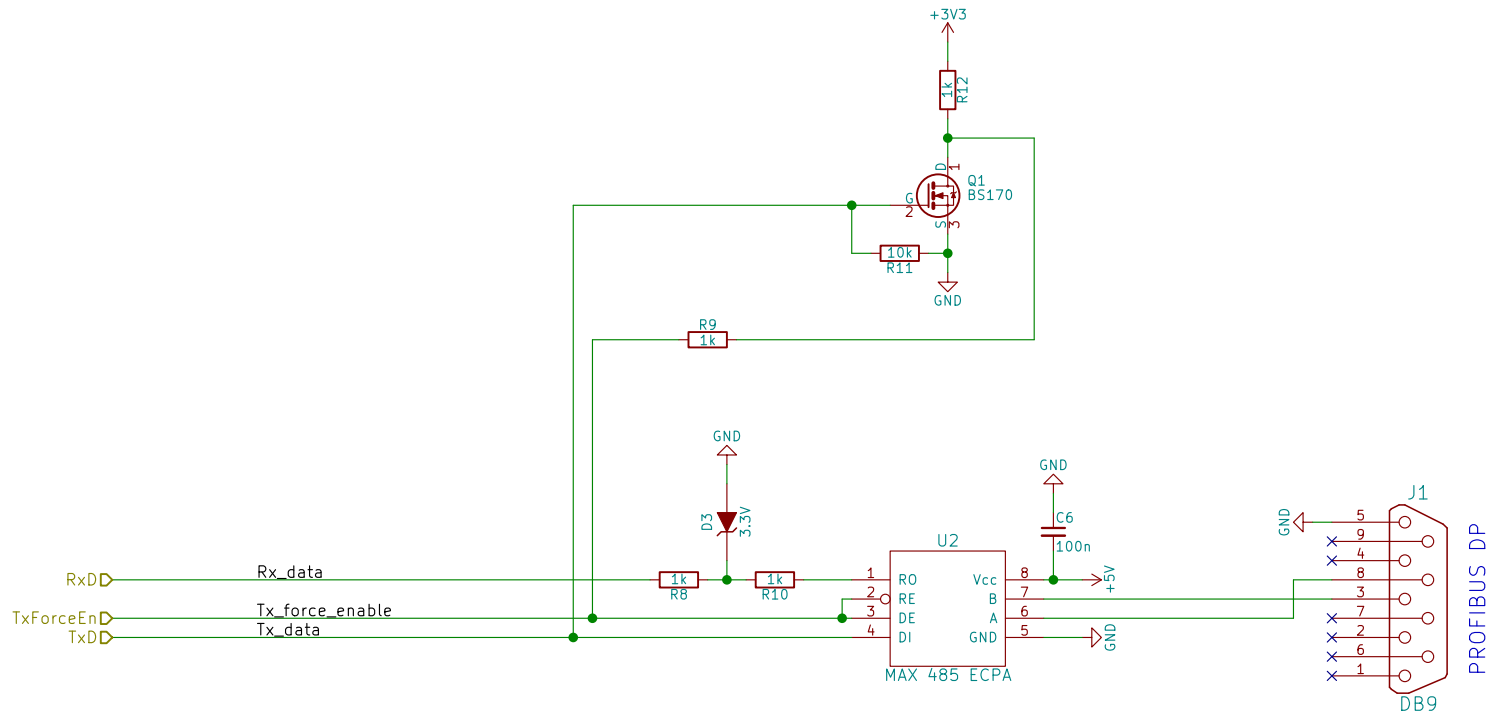
Size: A4

Date:

Rev: 0.1

KiCad E.D.A. kicad 4.0.2+dfsg1-stable

Id: 2/4



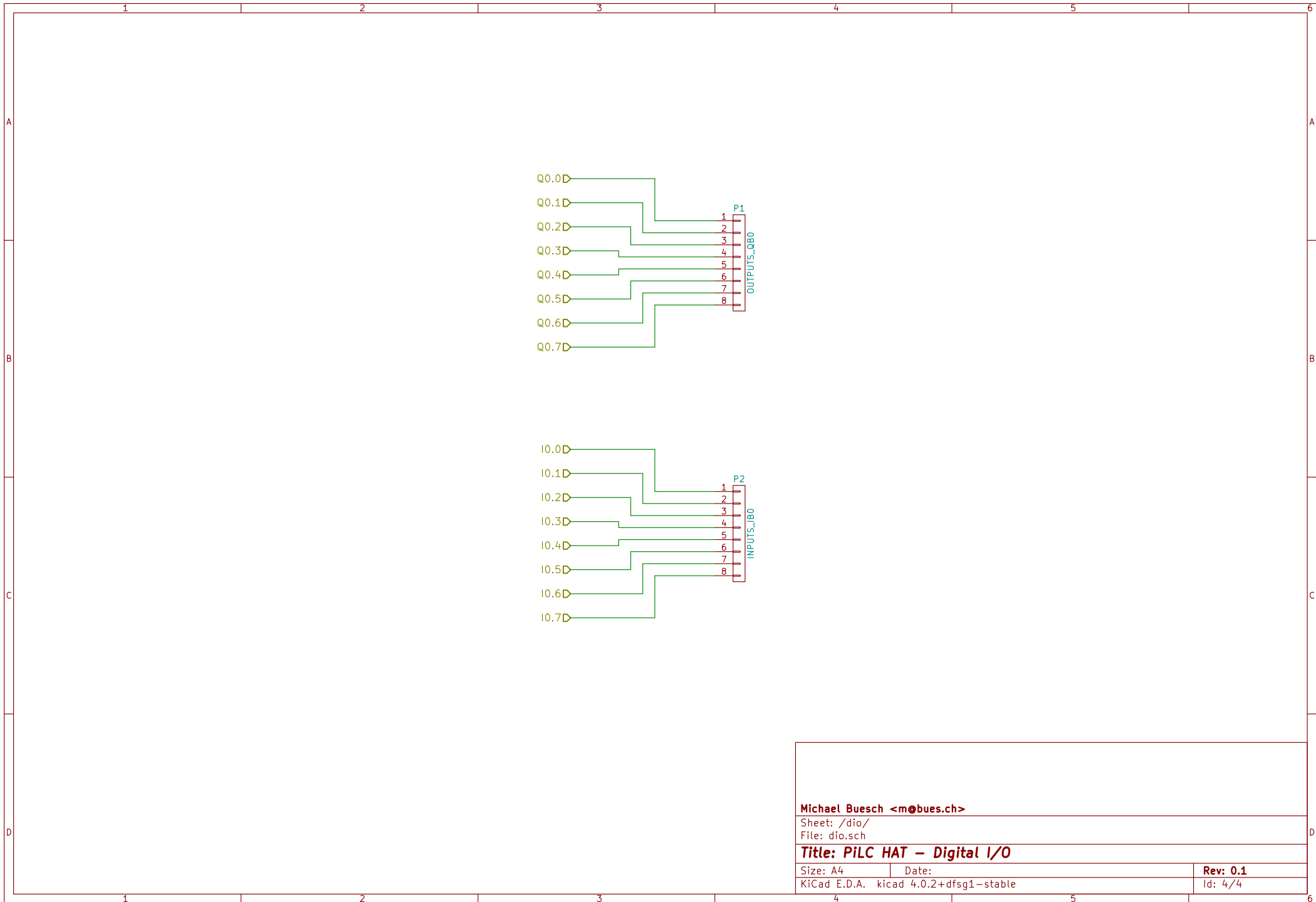
Michael Buesch <m@bues.ch>

Sheet: /profibus/
File: profibus.sch

Title: PiLC HAT – PROFIBUS-DP PHY

Size: A4 Date:
KiCad E.D.A. kicad 4.0.2+dfsg1-stable

Rev: 0.1
Id: 3/4



Michael Buesch <m@bues.ch>

Sheet: /dio/

File: dio.sch

Title: PiLC HAT – Digital I/O

Size: A4

Date:

Rev: 0.1

KiCad E.D.A. kicad 4.0.2+dfsg1-stable

Id: 4/4