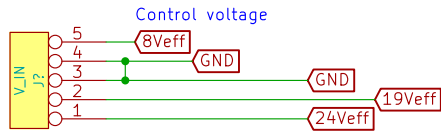


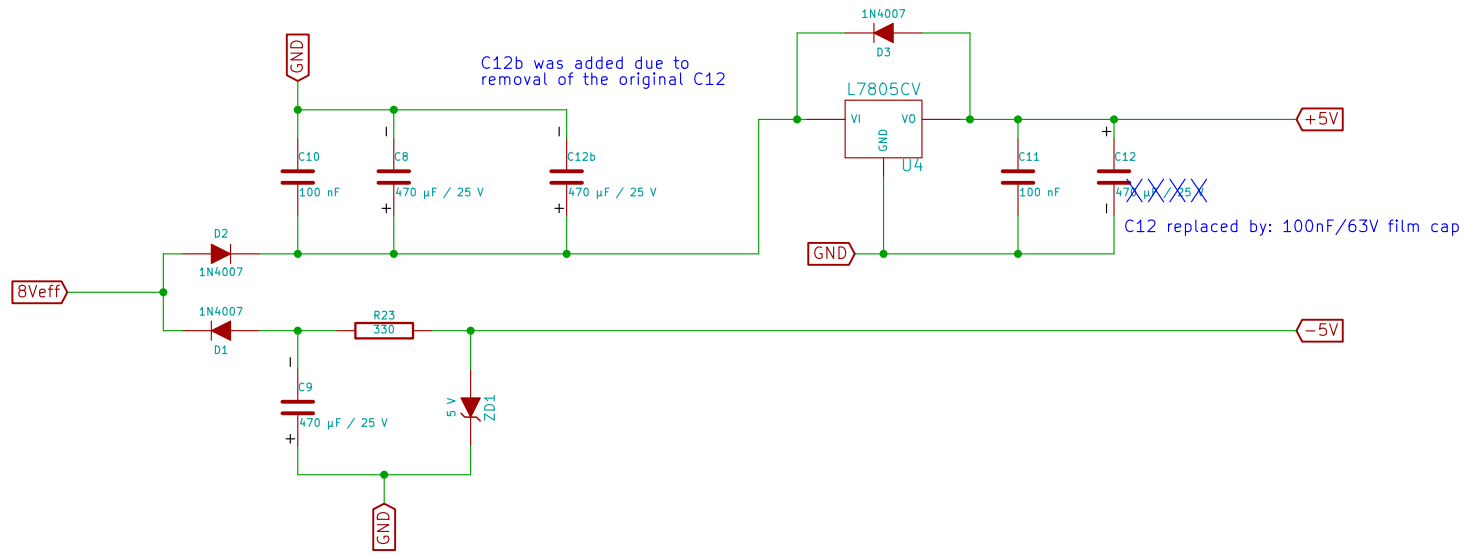
D4 and R9 are not assembled on the board.

added, because C1 is far away from VCC/GND pins

| | |
|---|------------------|
| Reverse engineered by Michael Büsch <m@bues.ch> | |
| File: lf1600.sch | |
| Sheet: / | |
| Title: Xytronic LF-1600 | |
| Size: A4 | Date: 6 sep 2015 |
| KiCad E.D.A. | Rev: 1.0 |
| | Id: 1/5 |



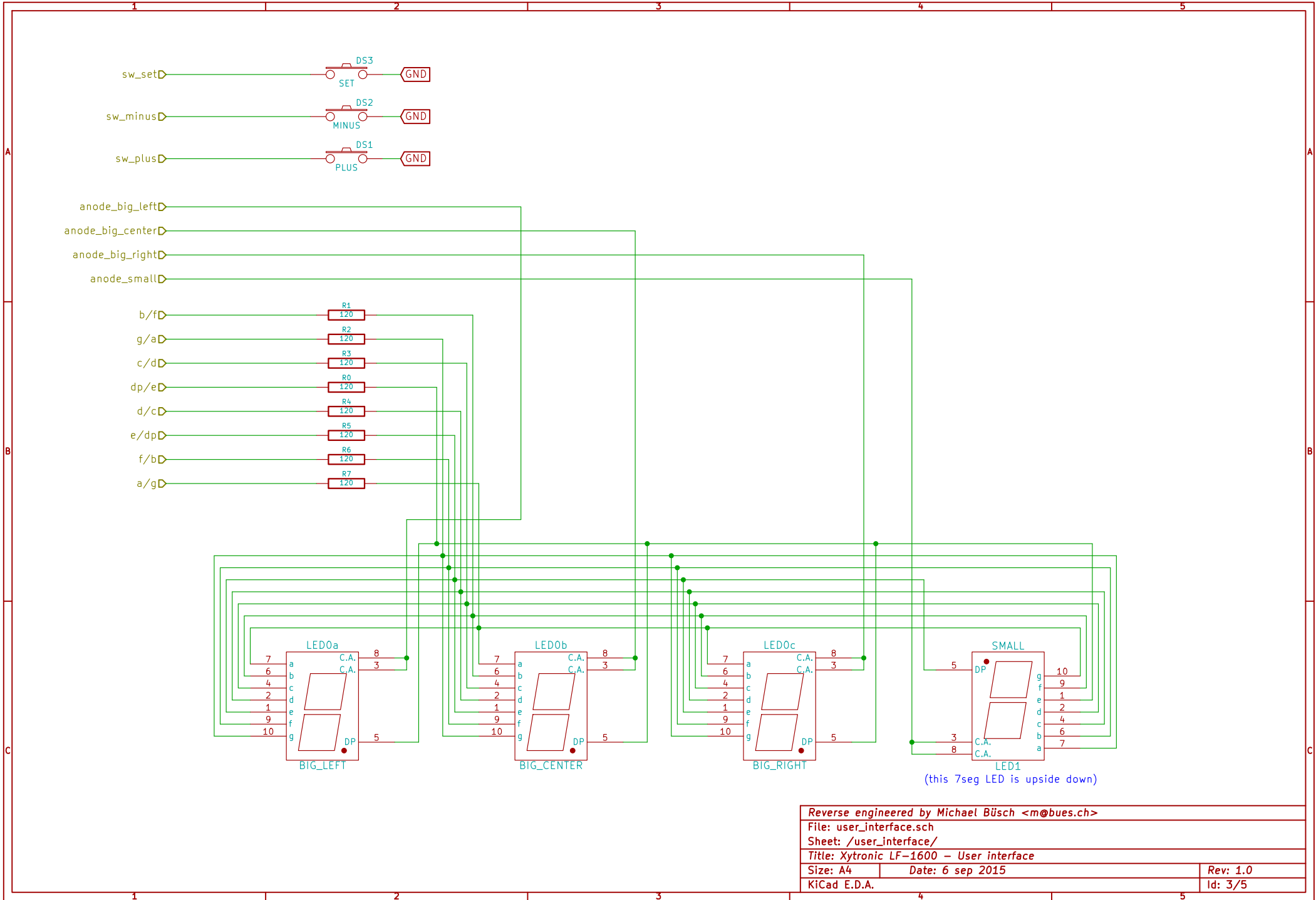
Control voltage
 Supply voltage
 19Veff is not connected
 24Veff is labeled as "24V", but actually is 31 V (eff)



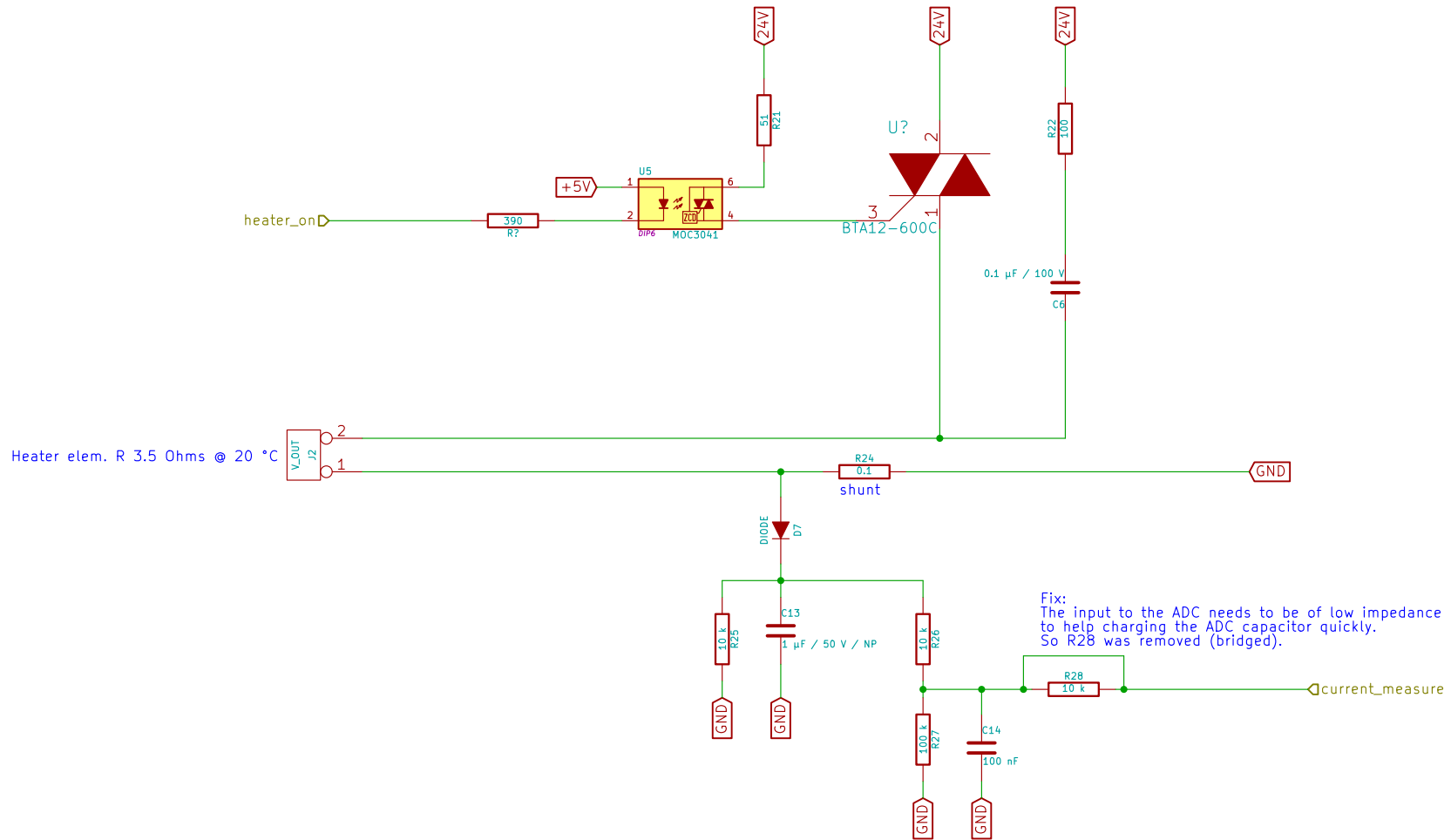
C12b was added due to removal of the original C12

C12 replaced by: 100nF/63V film cap

| | | |
|---|------------------|----------|
| Reverse engineered by Michael Büsch <m@bues.ch> | | |
| File: supply.sch | | |
| Sheet: /supply/ | | |
| Title: Xytronic LF-1600 - Power supply | | |
| Size: A4 | Date: 6 sep 2015 | Rev: 1.0 |
| KiCad E.D.A. | | Id: 2/5 |



| | | |
|---|------------------|----------|
| Reverse engineered by Michael Büsch <m@bues.ch> | | |
| File: user_interface.sch | | |
| Sheet: /user_interface/ | | |
| Title: Xytronic LF-1600 – User interface | | |
| Size: A4 | Date: 6 sep 2015 | Rev: 1.0 |
| KiCad E.D.A. | | Id: 3/5 |



| | |
|---|------------------|
| Reverse engineered by Michael Büsch <m@bues.ch> | |
| File: heater.sch | |
| Sheet: /heater/ | |
| Title: Xytronic LF-1600 – Heater power supply | |
| Size: A4 | Date: 6 sep 2015 |
| KiCad E.D.A. | Rev: 1.0 |
| | Id: 4/5 |

